





CONNECT WITH US

 casakawkaba.com

 murtaza@casakawkaba.com
info@casakawkaba.com

 +968 9675 8653
+968 9606 8624

From the House of Dar Al Fath Integrated Business, Oman

**STAR WIRE
SERIES**

**PREMIUM KITCHEN
STORAGE ACCESSORIES**

BRAND PROMISE & VISION

Designed with clarity. Engineered for everyday living. **Casa Kawkaba** creates intelligent kitchen storage solutions that bring order, efficiency, and elegance to **Modern Homes**.

As the kitchen is the heart of the home, where life comes together every day at **Casa Kawkaba** we believe that when the heart is well organized, the entire home shines with harmony, comfort, and purpose.

Inspired by the harmony of stars and constellations, **Casa Kawkaba** brings intelligent order to modern kitchens. Just as the universe follows a precise system, a well-designed kitchen deserves clarity, balance, and purpose.

Casa Kawkaba transforms everyday storage into a structured experience where every corner is optimized, every movement feels effortless, and every detail is thoughtfully placed.

Our kitchen storage accessories are crafted to create calm, efficiency, and elegance turning kitchens into spaces that works beautifully and lives brilliantly. Organized like the cosmos. Designed for real life.

Casa Kawkaba partners with architects, designers and users to deliver the kitchens that are technically intelligent and emotionally satisfying.

This belief guides everything we create, as we continue our journey of....
Turning Houses into Shining Homes.

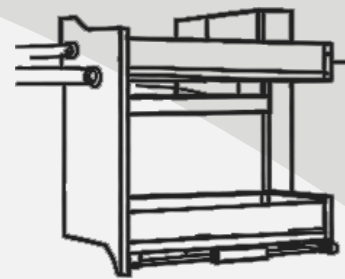
CORE BENEFITS



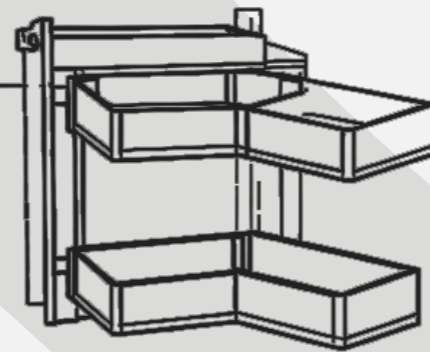
Intelligent Space Optimization | Smooth & Effortless Movement
Clean, Modern Aesthetics | Durable, Long-Lasting Materials
Designed for Modern Cabinet Systems



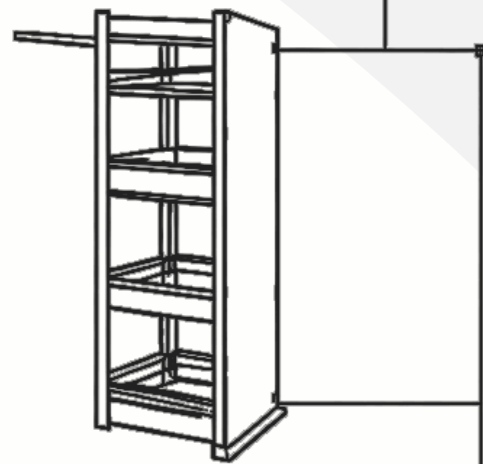
Thoughtfully designed solutions for every corner of the kitchen.



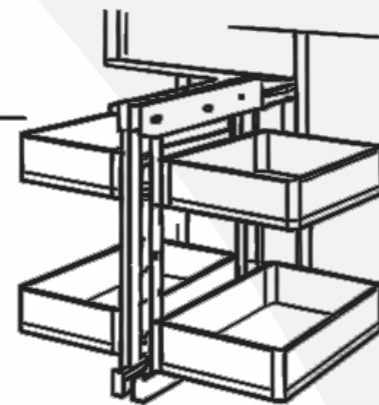
Pull-Out Organization



Blind Corner Optimization



Pantry Storage System



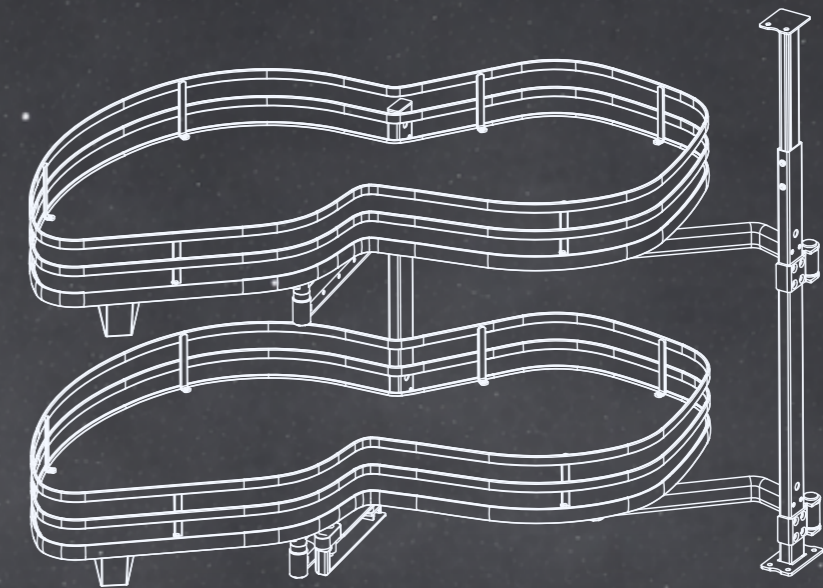
Multi Drawer Solution

Swing Tray	5
Show Hand Corner	7
Magic Corner (Universal)	9
Tall Pantry	11
Spice Rack 2 Shelf	15
Spice Rack 2 Shelf	17
Elevator Basket Chrome	19
Pull Out Drawers Bowl & Dish	21
Pull Out Drawers	23
Spice Rack Side Mounted	25
Plate And Dish Holder	27
Cutlery Organizer	29



Casa Kawkaba

Turning Houses into Shining Homes



Product Code	A011M2-R A011M2-L	Load Capacity	8 kg - 1 Basket
Cabinet Size	900 - 1000 mm	Remark	Swing Out Corner



Space Optimization



2-Tier Secure Storage



Durable Material



Smooth Side-Mount System

Space Optimization

Swing-out & pull-out mechanism brings blind corner contents fully outside the cabinet for easy access and better space utilization.

2-Tier Secure Storage

Dual trays with anti-drop guard rails keep bottles, cans, jars, and pantry items neatly organized.

Durable Materials

Powder-coated flat wire steel basket, MDF tray base with PVC edge banding, and solid steel hardware for long-lasting use and easy cleaning.

Smooth Side-Mount System

Side-mounted pivot mechanism ensures stable, smooth operation; available in left and right configurations.

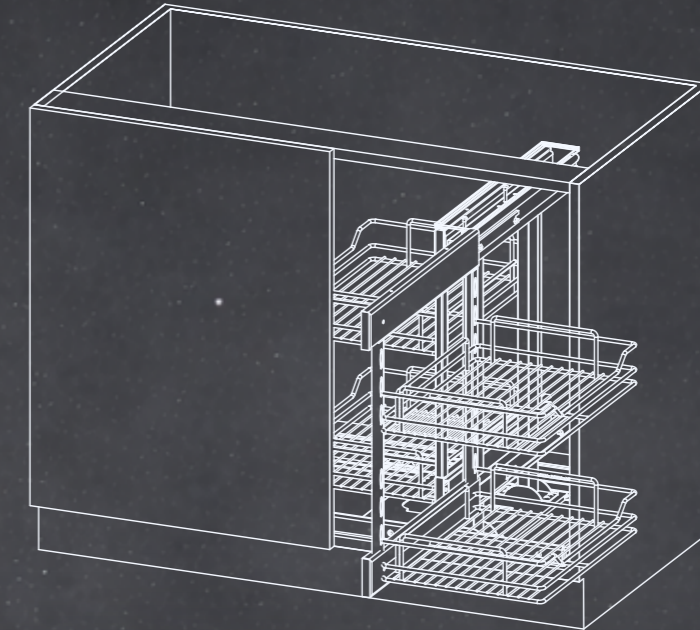


Swing Tray

Corner Solution



Casa Kawkaba
Turning Houses into Shining Homes



Product Code	A521	Load Capacity	24 kg
Cabinet Size	900 - 1000 mm	Remark	Show Hand Corner



Hidden Space Fully Revealed



Designed For Every Day Flow



Engineered For Long Term Use



Clean Finish Confident Fit

Hidden Space, Fully Revealed

Transforms blind corner cabinets into usable, front-facing storage with a fluid, guided movement.

Designed for Everyday Flow

Two balanced baskets keep frequently used items visible, separated, and easy to return.

Engineered for Long-Term Use

Reinforced steel structure with precision linkage ensures stable motion and consistent performance.

Clean Finish, Confident Fit

Bright chrome surface complements modern kitchens and fits 900-1000 mm base corner cabinets with ease.

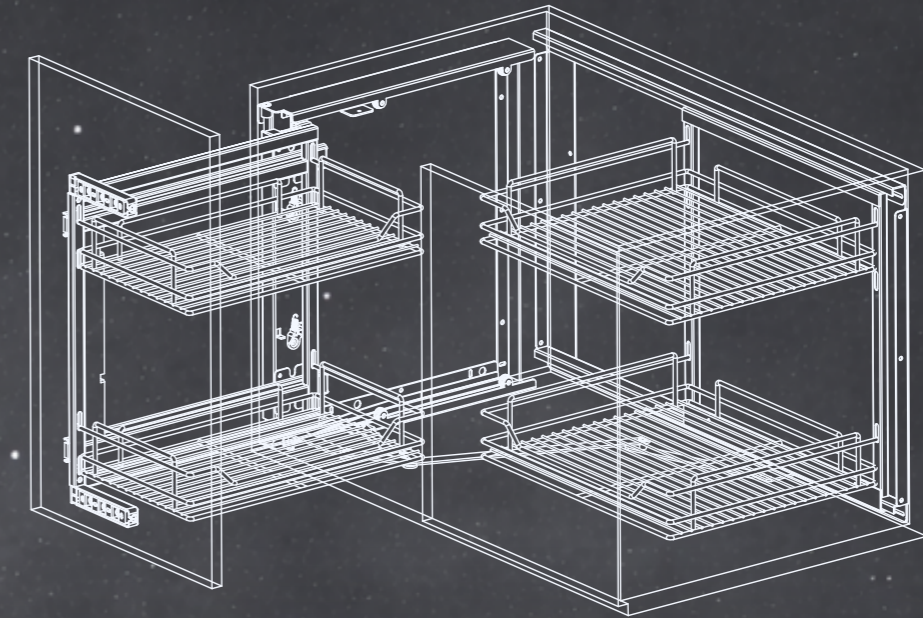


Show Hand Corner

Corner Solution



Casa Kawkaba
Turning Houses into Shining Homes



Product Code	A541	Load Capacity	Big Basket 7 kg Small Basket 5 kg
Cabinet Size	900 - 1000 mm	Remark	Blind Corner Pull-Out



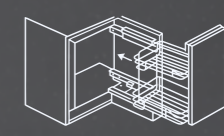
Blind Corner Optimization



Organized Storage



Premium Chrome Wire Baskets



Side-Mount System

Blind Corner Optimization

Multi-basket pull-out linkage brings corner storage fully into view for easy access.

Organized Storage

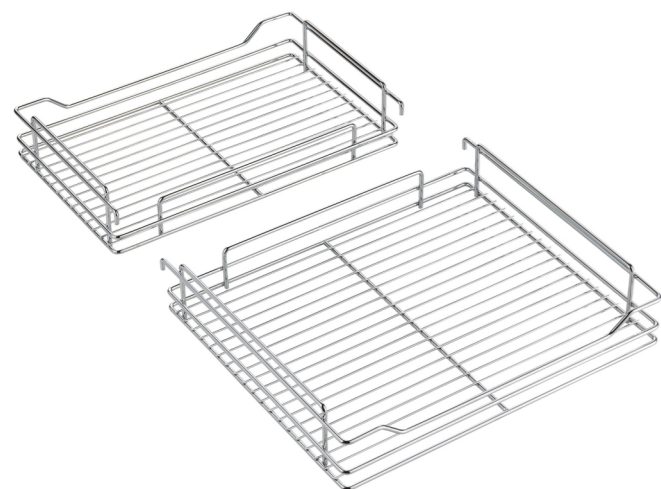
Ideal for bottles, food packs, condiments, and kitchen supplies with smooth synchronized basket movement.

Premium Chrome Wire Baskets

Durable steel wire construction with bright chrome finish for strength, ventilation, and easy cleaning.

Side-Mount System

Fits 900-1000 mm blind corner cabinets; smooth sliding mechanism with 7 kg (big) / 5 kg (small) load capacity.

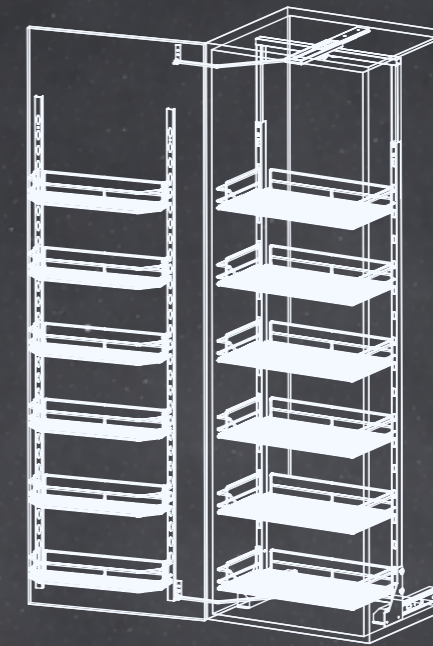


Magic Corner (Universal)

Pull-Out Corner Solution



Casa Kawkaba
Turning Houses into Shining Homes



Product Code	A662-01 A674	Load Capacity	Big Basket 5 kg Small Basket 3 kg
Cabinet Size	450 mm 600 mm	Remark	Tall Pantry - 6 Layers



Vertical Storage Simplified



Structured Multi-Level Layout



Built for Daily Load



Smooth Operation & Secure Fit

Vertical Storage, Simplified

A full-height pull-out system that converts tall cabinets into clearly arranged, easy-to-reach pantry storage.

Structured Multi-Level Layout

Six basket levels separate beverages, jars, canned foods, and packaged items for faster access and better order.

Built for Daily Load

Steel wire baskets with chrome finish provide reliable weight support, airflow, and a refined, durable appearance.

Smooth Operation & Secure Fit

Side-mounted synchronized pull-out mechanism ensures stable movement, designed for 600 mm tall pantry cabinets.



Tall Pantry

Pantry Solution



Casa Kawkaba
Turning Houses into Shining Homes

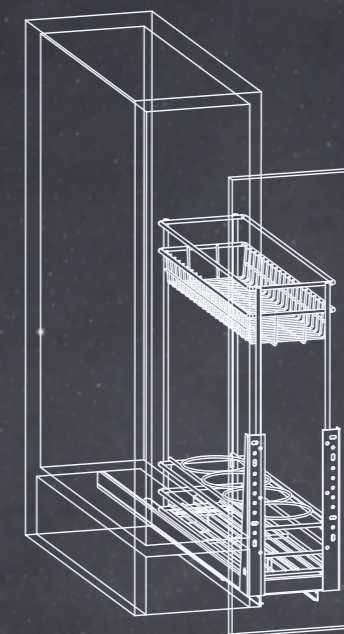


STAR WIRE SERIES



Casa Kawkaba
Turning Houses into Shining Homes

STAR WIRE SERIES



Product Code	C142-01	Load Capacity	30 kg
Cabinet Size	200 mm	Remark	Chef's Drawer



Optimized for
Slim Cabinets



Smooth Full-Extension
Pull-Out



Premium Chrome
Finished Steel



Stable, Flexible
& Reliable

Optimized for Slim Cabinets

Designed for 200 mm base units, this 2-tier pull-out efficiently organizes spices, bottles, and condiments while making the most of narrow cabinet space.

Smooth Full-Extension Pull-Out

The full-extension sliding system brings all items fully into view for easy access and everyday convenience.

Premium Chrome-Finished Steel

High-strength steel wire with bright chrome plating ensures durability, good ventilation, rust resistance, and easy cleaning.

Stable, Flexible & Reliable

Universal left/right side mounting, sturdy frame construction



**Spice Rack
2 Shelf**

Pull-Out Rack



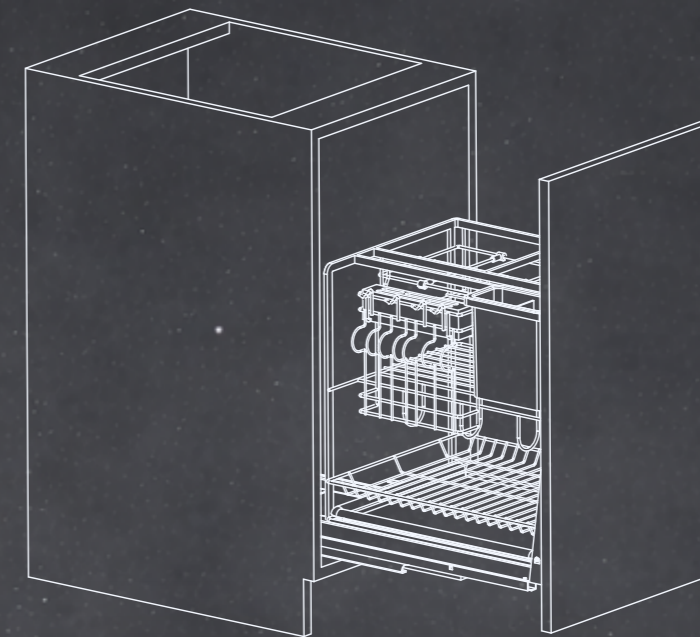
Spice Rack 2 Shelf

Pull-Out Rack



Casa Kawkaba

Turning Houses into Shining Homes



Product Code	C1640E	Load Capacity	30 kg
Cabinet Size	400 mm	Remark	Multi Purpose Pull-Out Rack



All-in-One Kitchen
Storage Solution



Smooth Full-Extension
Access



Smart Multi-Functional
Design



Durable Chrome-Finished
Steel Construction

All-in-One Kitchen Storage Solution

Designed for 400 mm base cabinets, this multi-function pull-out neatly organizes spices, bottles, utensils, and daily kitchen accessories in one efficient system.

Smooth Full-Extension Access

The full-extension sliding mechanism pulls out completely, providing full visibility and quick access while improving everyday kitchen workflow.

Smart Multi-Functional Design

Integrated spice & bottle storage, partition holders, and utensil hanging racks keep different items well organized, while guard rails ensure stability during movement.

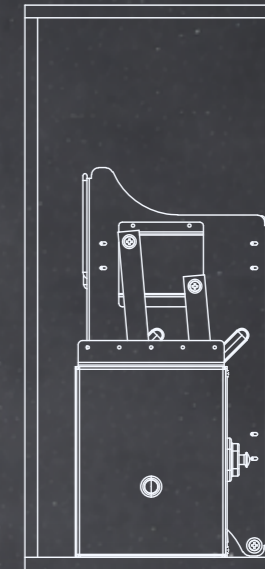
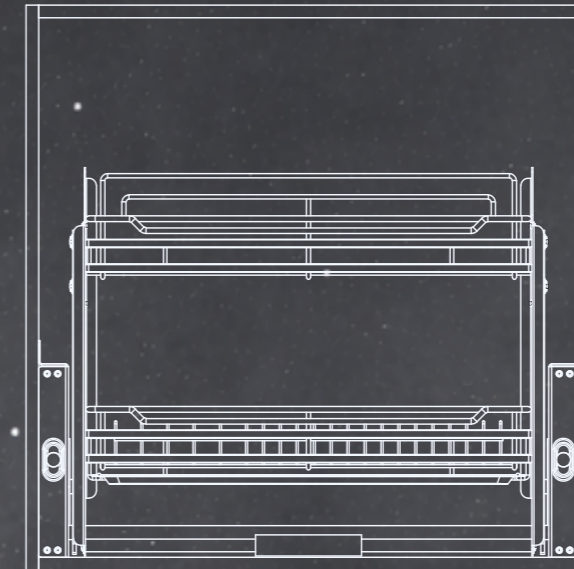
Durable Chrome-Finished Steel Construction

Made from high-strength steel wire with bright chrome plating, offering excellent load capacity (up to 30 kg)



Casa Kawkaba

Turning Houses into Shining Homes



Product Code A221BD | A224BD

Load Capacity 10 kg | 12 kg

Cabinet Size 600 mm | 900 mm

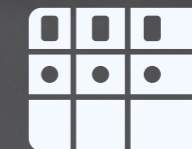
Remark Smart Lift System



Effortless Access



Strong & Durable



Organized & Secure



Flexible & Convenient Installation

Effortless Access

Pull-down mechanism smoothly lowers the 2-tier rack to a comfortable height, making it easy and safe to load or remove plates and bowls without stretching or reaching overhead.

Strong & Durable

Made from chrome-plated steel wire with sturdy frame brackets, offering reliable support, good ventilation for drying, and simple cleaning.

Organized & Secure

Two-tier design with guard rails ensures plates, bowls, and kitchenware stay stable and neatly arranged during use.

Flexible & Convenient Installation

Side-mounted system fits 600 mm or 900 mm wall cabinets; stable construction supports up to 12 kg for heavy daily use.



Elevator Basket Chrome

Up & Down Lifting



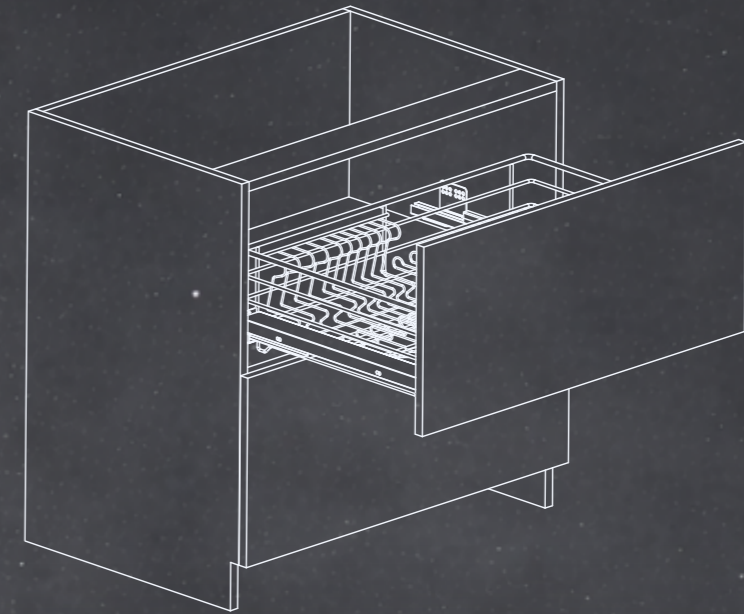
Pull Out Drawers

Bowl & Dish

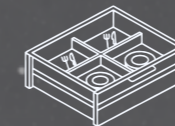


Casa Kawkaba

Turning Houses into Shining Homes



Product Code	B646A01 B649A01	Load Capacity	30 kg
Cabinet Size	600 mm 900 mm	Remark	Crockery Pull-Out Basket



Smart Sectioned Storage



Smooth Full-Extension Access



Strong & Stable



Ventilated & Easy to Clean

Smart Sectioned Storage

Multiple compartments and dedicated zones keep spoons, bowls, plates, and cookware neatly separated for easy access and organized cabinets.

Smooth Full-Extension Access

Pull-out design lets all items slide out completely, improving visibility and simplifying daily kitchen tasks.

Strong & Stable

Flat wire bottom and durable chrome-plated steel construction provide solid support for heavy pots, pans, and dishes.

Ventilated & Easy to Clean

Open wire design ensures airflow for drying and allows effortless maintenance, keeping kitchenware hygienic.

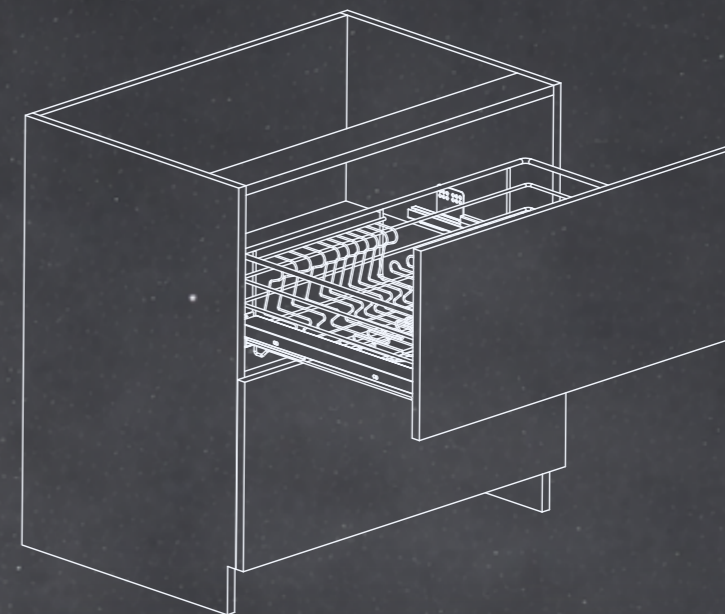


Pull Out Drawers

Pull-Out Basket



Casa Kawkaba
Turning Houses into Shining Homes



Product Code	B746A01 B749A01	Load Capacity	30 kg
Cabinet Size	600 mm 900 mm	Remark	Pot & Pan Pull-Out



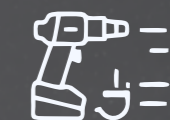
Heavy-Duty Organization



Full-Extension Access



Durable & Ventilated



Flexible & Reliable Installation

Heavy-Duty Organization

Designed with flat wire bottom and structured compartments to securely store cookware, bowls, plates, and kitchen essentials.

Full-Extension Access

Smooth pull-out mechanism allows complete visibility and effortless retrieval of all items.

Durable & Ventilated

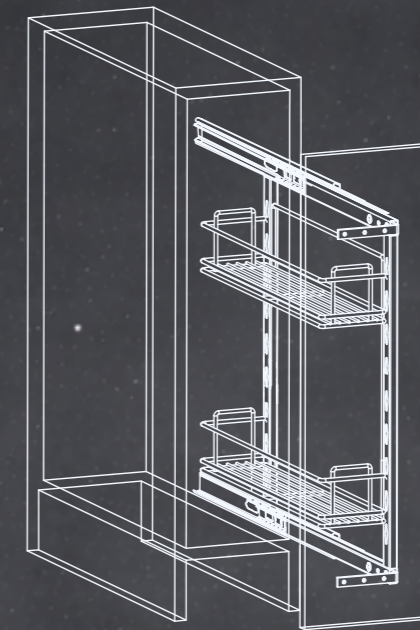
Chrome-plated steel wire construction provides strong load support, excellent ventilation, and easy cleaning.

Flexible & Reliable Installation

Side-mounted system fits 600mm or 900mm base cabinets, supporting up to 30kg for daily kitchen use.



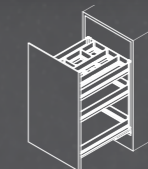
Casa Kawkaba
Turning Houses into Shining Homes



Product Code	E122	Load Capacity	30 kg
Cabinet Size	200 mm	Remark	Spice & Bottle Pull-Out



Slim & Space Saving



Two-Tier Organization



Durable & Easy to Maintain



Stable & Smooth Operation

Slim & Space-Saving

Side-mounted pull-out design fits 200mm base cabinets, making spices, jars, and tall bottles fully visible and easily reachable.

Two-Tier Organization

Deep lower basket for tall bottles and oils; upper basket for jars, seasonings, and daily kitchen supplies.

Durable & Easy to Maintain

Chrome-plated steel wire construction ensures strong load support, good ventilation, and effortless cleaning.

Stable & Smooth Operation

Guard rails keep items secure; full-extension sliding mechanism allows smooth, reliable movement.

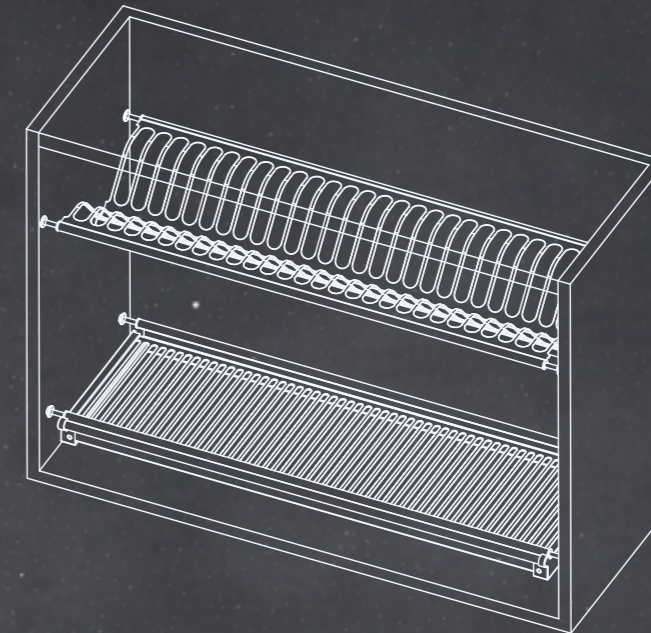


Spice Rack Side Mounted

Pull-Out Basket



Casa Kawkaba
Turning Houses into Shining Homes



Product Code	F8114 F8116 F8117	Load Capacity	12 kg Each
Cabinet Size	600 mm 800 mm 900 mm	Remark	Wall Mounted Plate Rack



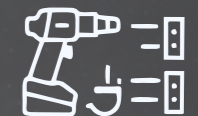
Efficient Two-Layer Storage



Hygienic & Well-Ventilated



Durable & Corrosion Resistant



Flexible Installation

Efficient Two-Layer Storage

Upper tier for vertical plate storage; lower tier for bowls, cups, and daily tableware.

Hygienic & Well-Ventilated

Open rack design promotes airflow, helping dishes dry faster and keeping cabinets clean.

Durable & Corrosion-Resistant

Made from SUS201 stainless steel with polished/brushed finish for strength and easy maintenance.

Flexible Installation

Fixed wall-mounted system fits 600mm, 800mm, or 900mm cabinets; stable design with 12kg load capacity per layer.

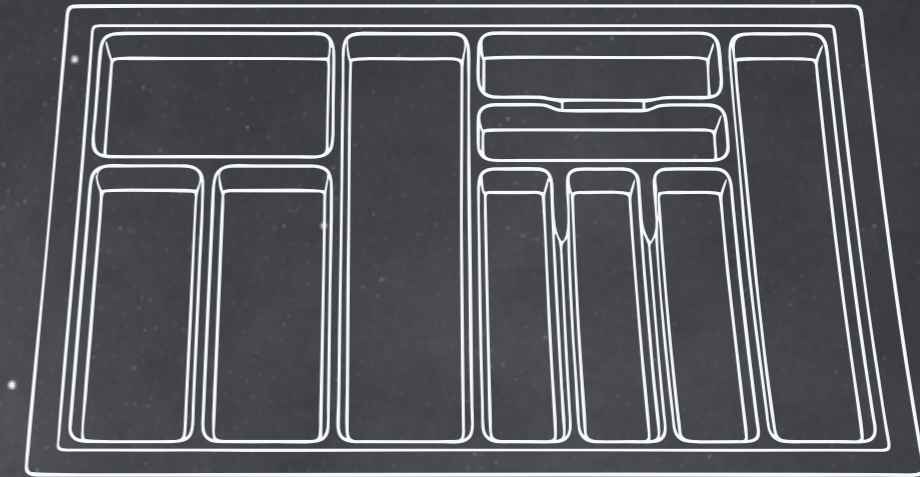


Plate And Dish Holder

Wall Mounted Rack



Casa Kawkaba
Turning Houses into Shining Homes



Product Code	WD-600K WD-900K	Load Capacity	-
Cabinet Size	600 mm 900 mm	Remark	Cutlery Divider



Tidy & Organized



Quick Access



Stable & Durable



Premium Finish
Perfect Fit

Tidy & Organized

Multi-compartment layout keeps knives, forks, spoons, and utensils neatly separated for easy access.

Quick Access

All cutlery is visible and reachable at a glance, saving time while cooking or setting the table.

Stable & Durable

Fixed tray design sits securely inside drawers with no moving parts for long-lasting performance.

Premium Finish, Perfect Fit

Made from high-quality ABS with a metal grey matte surface, this accessory is lightweight, scratch-resistant, and easy to clean. Suits both standard and wide kitchen drawers perfectly.



Cutlery Organizer