






CONNECT WITH US

 casakawkaba.com

 murtaza@casakawkaba.com
info@casakawkaba.com

 +968 9675 8653
+968 9606 8624

From the House of Dar Al Fath Integrated Business, Oman

PURE SPACE SERIES

PREMIUM KITCHEN
STORAGE ACCESSORIES

BRAND PROMISE & VISION

Designed with clarity. Engineered for everyday living. **Casa Kawkaba** creates intelligent kitchen storage solutions that bring order, efficiency, and elegance to **Modern Homes**.

As the kitchen is the heart of the home, where life comes together every day at **Casa Kawkaba** we believe that when the heart is well organized, the entire home shines with harmony, comfort, and purpose.

Inspired by the harmony of stars and constellations, **Casa Kawkaba** brings intelligent order to modern kitchens. Just as the universe follows a precise system, a well-designed kitchen deserves clarity, balance, and purpose.

Casa Kawkaba transforms everyday storage into a structured experience where every corner is optimized, every movement feels effortless, and every detail is thoughtfully placed.

Our kitchen storage accessories are crafted to create calm, efficiency, and elegance turning kitchens into spaces that works beautifully and lives brilliantly. Organized like the cosmos. Designed for real life.

Casa Kawkaba partners with architects, designers and users to deliver the kitchens that are technically intelligent and emotionally satisfying.

This belief guides everything we create, as we continue our journey of....
Turning Houses into Shining Homes.

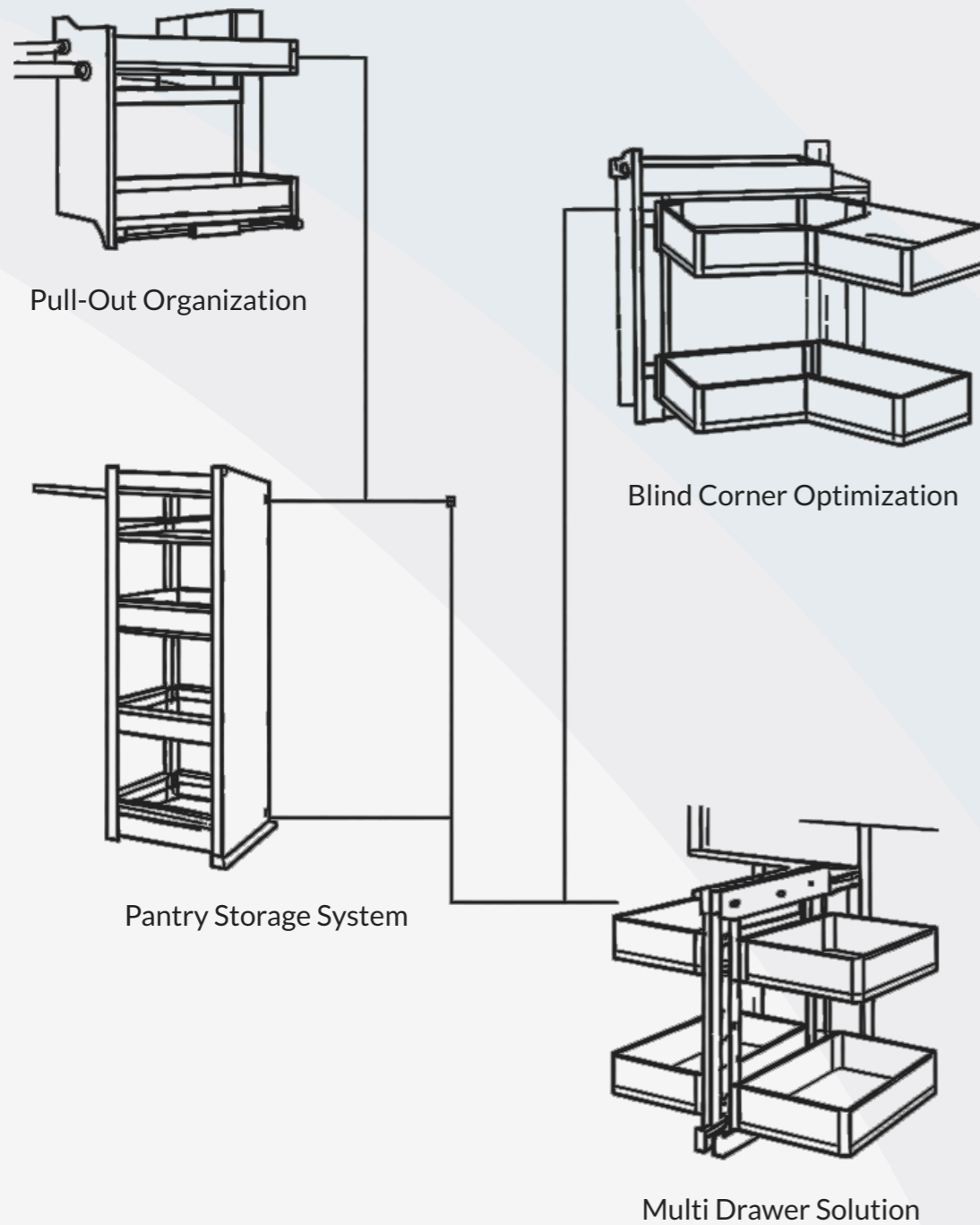
CORE BENEFITS



Intelligent Space Optimization | Smooth & Effortless Movement
Clean, Modern Aesthetics | Durable, Long-Lasting Materials
Designed for Modern Cabinet Systems



Thoughtfully designed solutions for every corner of the kitchen.

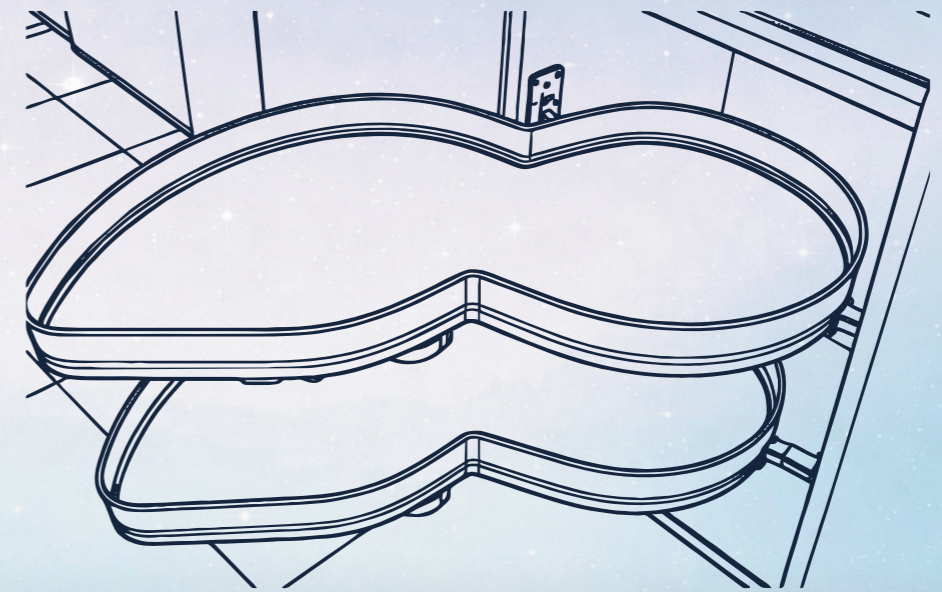


Aluminum Swing Tray	5
Aluminum Wall Elevator	7
Aluminum Show Hand Corner	9
Aluminum Tall Pantry	13
Aluminum Side Pull Out Spice Rack	15
Aluminum Pull Out Drawer (Bowl & Dish)	17
Aluminum Bottom Pull Out Spice Rack	21
Aluminum Multi Purpose Drawer Basket	23
Aluminum Waste Bin	25



Casa Kawkaba

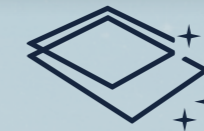
Turning Houses into Shining Homes



Product Code	AST900-R AST900-L	Load Capacity	15 kg
Cabinet Size	900 mm	Remark	Swing Tray



Panoramic Rotating Access



Durable Aluminum Construction



Stable & Flexible Installation



Anti-Slip Pads

Panoramic Rotating Access

Multi-angle rotating design provides a full panoramic view, allowing effortless access to stored items directly at your fingertips.

Durable Aluminum Construction

Crafted from lightweight aluminum, ensuring excellent corrosion resistance, long-term durability, and smooth daily performance.

Stable & Flexible Installation

Equipped with anti-slip pads for enhanced stability and designed for convenient side installation on either the left or right corner.

Anti-Slip Pads

Keeps baskets stable, reduces noise, and protects cabinets.



Aluminum Swing Tray

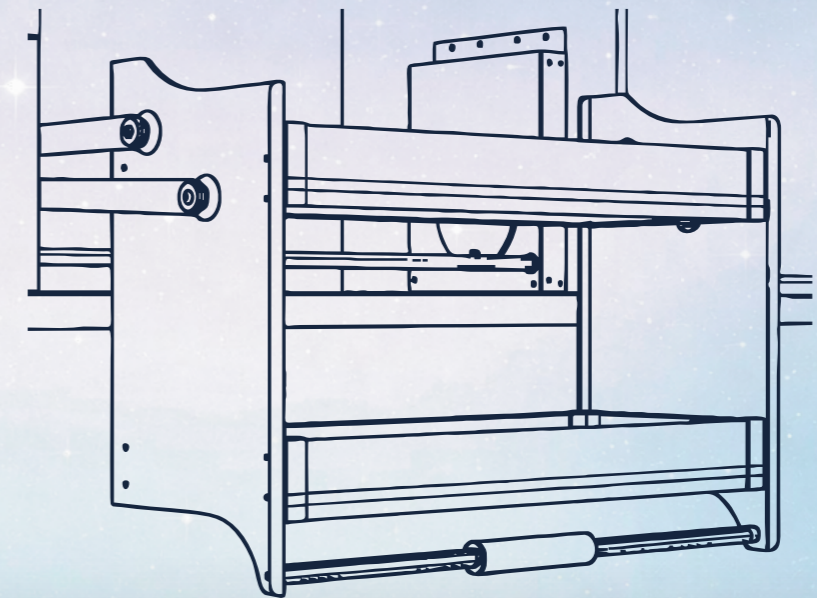
Corner Solution

Color Options

Grey Golden Beige



Casa Kawkaba
Turning Houses into Shining Homes



Product Code	AEB600 AEB900	Load Capacity	25-27 kg
Cabinet Size	600 mm 900 mm	Remark	Wall Elevator



Smooth Lift Up



Soft Buffered Movement



Light Weight Aluminum



Anti-Slip Pads

Smooth Lift-Up Access

Advanced up-and-down lifting system ensures effortless access to high cabinets with controlled, user-friendly operation.

Soft & Buffered Movement

Integrated buffered mechanism delivers gentle, stable motion, enhancing comfort and long-term reliability.

Lightweight Aluminum Build

Constructed from high-quality aluminum for superior corrosion resistance, durability, and a refined, modern finish.

Anti-Slip Pads

Keeps baskets stable, reduces noise, and protects cabinets.



Aluminum Wall Elevator

Up and Down Lifting

Color Options

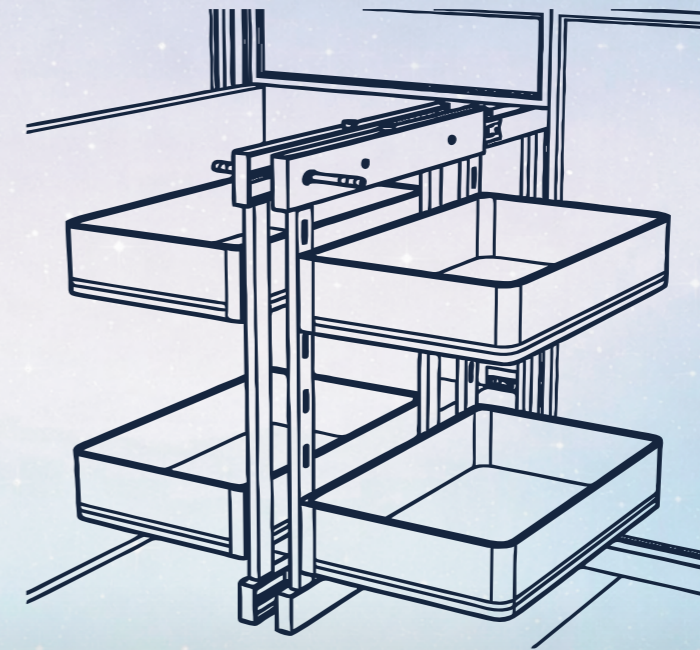
Grey Golden Beige





Casa Kawkaba

Turning Houses into Shining Homes



Product Code	AMC900	Load Capacity	25 kg
Cabinet Size	900 mm	Remark	Show Hand Corner



Full Extension
Magic Corner



Light Weight
Aluminum



Soft Close
Buffering



Stable Bottom
Installation

Full-Extension Magic Corner Access

Smooth pull-out system enables both left and right baskets to extend completely, providing effortless reach and eliminating corner blind spots.

Soft-Close Buffering Mechanism

Integrated soft-closing system ensures controlled, silent movement for smooth and comfortable daily use.

Lightweight Aluminum Construction

Made from high-quality aluminum for excellent corrosion resistance, durability, and a sleek modern appearance.

Stable Bottom Installation

Designed for secure bottom mounting, equipped with anti-slip pads for enhanced stability and reliable operation.



**Aluminum
Show Hand Corner**

Corner Solution

Color Options

Grey Golden Beige



Casa Kawkaba
Turning Houses into Shining Homes

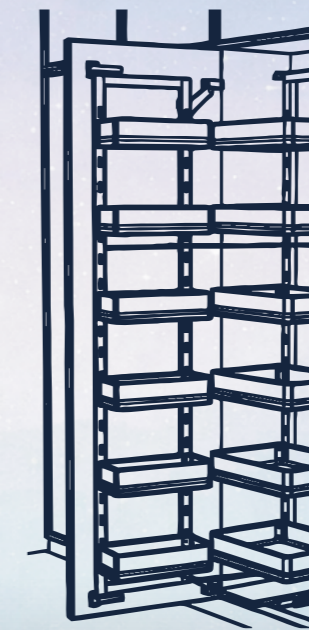


PURE SPACE SERIES



Casa Kawkaba

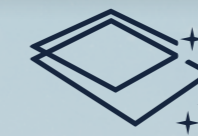
Turning Houses into Shining Homes



Product Code	APU450-6 APU600-6	Load Capacity	90 kg
Cabinet Size	450 mm 600 mm	Remark	Tall Pantry - 6 Layers



Clip Linkage Pull Out
Pantry System



Durable Aluminum
Construction



High Capacity
Modular Storage



Soft Close Damped
Movement

Clip-Linkage Pull-Out Pantry System

Advanced high-cabinet clip-linkage mechanism enables smooth left-side pull-out operation with convenient hands-free access.

Soft-Close & Damped Movement

Integrated soft-closing damping system ensures silent, controlled motion for comfortable and reliable daily use.

High-Capacity Modular Storage

Multiple storage baskets with strong load-bearing capacity allow efficient classification of items, maximizing pantry space and organization.

Durable Aluminum Construction

Lightweight aluminum structure offers excellent corrosion resistance and long-term durability, supported by secure bottom installation and anti-slip pads.



Aluminum Tall Pantry

Corner Solution

Color Options

Grey Golden Beige



Aluminum Side Pull Out Spice Rack

Pull Out Basket

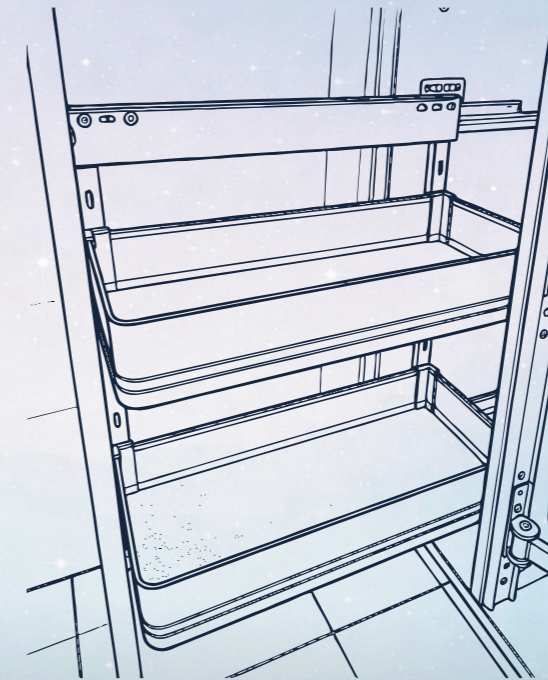
Color Options

Grey Golden Beige



Casa Kawkaba

Turning Houses into Shining Homes



Product Code	ASPB200-2	Load Capacity	15-20 kg
Cabinet Size	200 mm	Remark	Spice Rack - L/R



Every-Day Spice & Oil Access



Slim Slide Pull-Out Design



Soft-Close Sliding Mechanism



Anti-Slip Pads

Slim Side Pull-Out Design

Two-layer storage configuration optimized for narrow cabinet spaces, ensuring maximum use of limited width with easy accessibility.

Soft-Close Sliding Mechanism

Side-mounted slides with soft-closing function deliver smooth, silent, and controlled pull-out operation.

Lightweight Aluminum Construction

Manufactured from high-quality aluminum, offering excellent corrosion resistance, durability, and a refined finish.

Anti-Slip Pads

Keeps baskets stable, reduces noise, and protects cabinets.



Aluminum Pull Out Drawer (Bowl & Dish)

Pull Out Basket

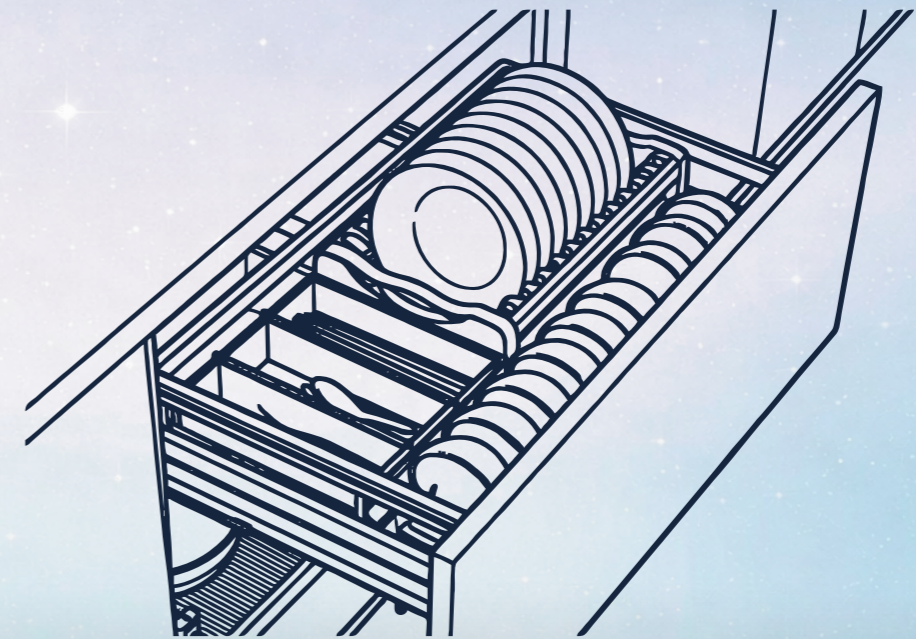
Color Options

Grey Golden Beige



Casa Kawkaba

Turning Houses into Shining Homes



Product Code	LC-2608 LC-2908	Load Capacity	15-20 kg
Cabinet Size	600 mm 900 mm	Remark	Pull Out Drawer



Flexible Side Installation



Organized Dish & Cutlery Storage



Premium Aluminum Construction



Soft Close Pull-Out Mechanism

Organized Dish & Cutlery Storage

Designed to neatly store bowls, plates, and cutlery, ensuring easy access and efficient kitchen organization.

Soft-Close Pull-Out Mechanism

Integrated soft-closing system provides smooth, silent pull-out operation for everyday comfort and convenience.

Premium Aluminum Construction

Crafted from high-quality aluminum, delivering a lightweight structure with excellent corrosion resistance and long-term durability.

Flexible Side Installation

Suitable for left or right side mounting, equipped with non-slip mats and anti-slip pads for stable and secure use.



Casa Kawkaba
Turning Houses into Shining Homes

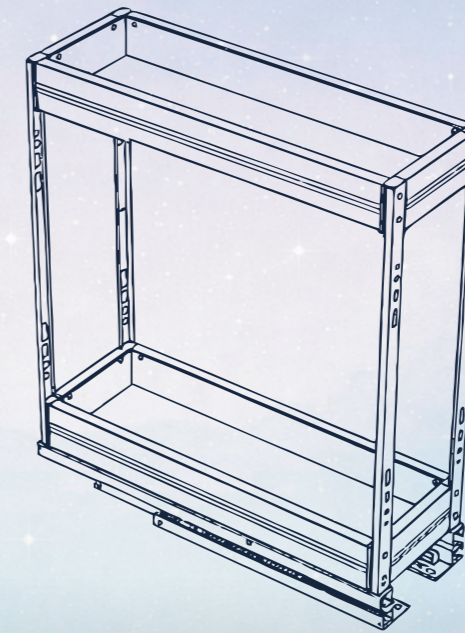


PURE SPACE SERIES



Casa Kawkaba

Turning Houses into Shining Homes



Product Code	LC-2200A-2	Load Capacity	15-20 kg
Cabinet Size	200 mm	Remark	Spice Rack



Compact Two Layer Storage



Light Weight Aluminum



Secure Bottom Installation



Soft Close Pull-Out Mechanism

Compact Two-Layer Storage

Two-tier basket design optimized for spices and condiments, maximizing storage capacity in narrow cabinet spaces.

Soft-Close Pull-Out Mechanism

Bottom-mounted slides with soft-closing function ensure smooth, quiet, and controlled operation.

Lightweight Aluminum Construction

Made from high-quality aluminum, offering excellent corrosion resistance, durability, and a modern premium finish.

Secure Bottom Installation

Designed for stable bottom mounting, equipped with anti-slip pads for reliable and safe daily use.



Aluminum Bottom Pull Out Spice Rack

Pull Out Basket

Color Options

Grey Golden Beige



Casa Kawkaba

Turning Houses into Shining Homes



Product Code	LC-2450	Load Capacity	15-20 kg
Cabinet Size	450 mm	Remark	Multipurpose Drawer



Efficient Bottom Installation



Light Weight Aluminum



Multi Layer Adjustable Storage



Soft-Close Pull Out Mechanism

Dual-Layer Adjustable Storage

Multi pull-out basket with a two-layer drawer design and adjustable layout, allowing organized storage for spices and kitchen knives.

Soft-Close Pull-Out Mechanism

Smooth pull-out system with soft-closing function ensures quiet, controlled, and convenient daily operation.

Space & Cost Efficiency

Maximizes kitchen storage efficiently and cost-effectively.

Efficient Bottom Installation

Designed for secure bottom mounting, equipped with anti-slip pads to ensure stable and reliable use.



Aluminum Multi Purpose Drawer Basket

Pull Out Basket

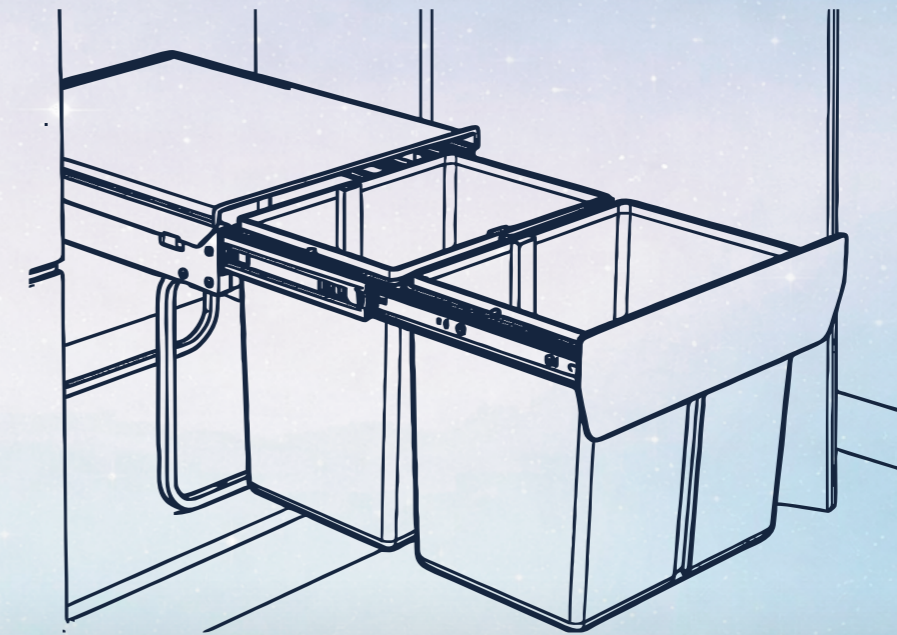
Color Options

Grey Golden Beige



Casa Kawkaba

Turning Houses into Shining Homes



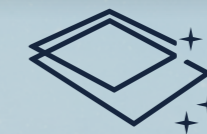
Product Code	A400SC	Load Capacity	20 Litres Each
Cabinet Size	400 mm	Remark	Waste Bin



Door Linked Pull Out System



Dual Bin Waste Separation



Durable Aluminum Construction



Soft-Close Sliding Mechanism

Dual Bin Waste Separation

Double drawer design with a total 40L capacity (20L x 2) enables efficient and hygienic waste sorting.

Door-Linked Pull-Out System

Bins slide out automatically with cabinet door opening, providing convenient hands-free operation.

Soft-Close Sliding Mechanism

Integrated soft-closing system ensures smooth, quiet, and controlled movement during use.

Durable Aluminum Construction

Lightweight aluminum build offers excellent corrosion resistance and long-term durability, supported by secure bottom installation.



Aluminum Waste Bin

Pull Out Basket

Color Options

Grey Golden Beige