



CONNECT WITH US



casakawkaba.com



murtaza@casakawkaba.com
info@casakawkaba.com



+968 9675 8653
+968 9606 8624

From the House of Dar Al Fath Integrated Business, Oman

LUNA GLOW SERIES

PREMIUM KITCHEN
STORAGE ACCESSORIES

BRAND PROMISE & VISION

Designed with clarity. Engineered for everyday living. **Casa Kawkaba** creates intelligent kitchen storage solutions that bring order, efficiency, and elegance to **Modern Homes**.

As the kitchen is the heart of the home, where life comes together every day at **Casa Kawkaba** we believe that when the heart is well organized, the entire home shines with harmony, comfort, and purpose.

Inspired by the harmony of stars and constellations, **Casa Kawkaba** brings intelligent order to modern kitchens. Just as the universe follows a precise system, a well-designed kitchen deserves clarity, balance, and purpose.

Casa Kawkaba transforms everyday storage into a structured experience where every corner is optimized, every movement feels effortless, and every detail is thoughtfully placed.

Our kitchen storage accessories are crafted to create calm, efficiency, and elegance turning kitchens into spaces that works beautifully and lives brilliantly. Organized like the cosmos. Designed for real life.

Casa Kawkaba partners with architects, designers and users to deliver the kitchens that are technically intelligent and emotionally satisfying.

This belief guides everything we create, as we continue our journey of....
Turning Houses into Shining Homes.

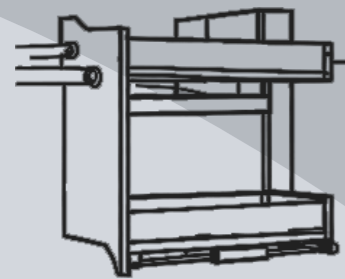
CORE BENEFITS



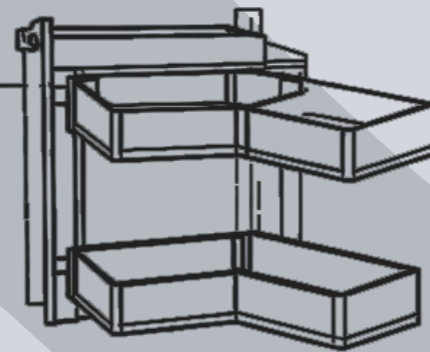
Intelligent Space Optimization | Smooth & Effortless Movement
Clean, Modern Aesthetics | Durable, Long-Lasting Materials
Designed for Modern Cabinet Systems



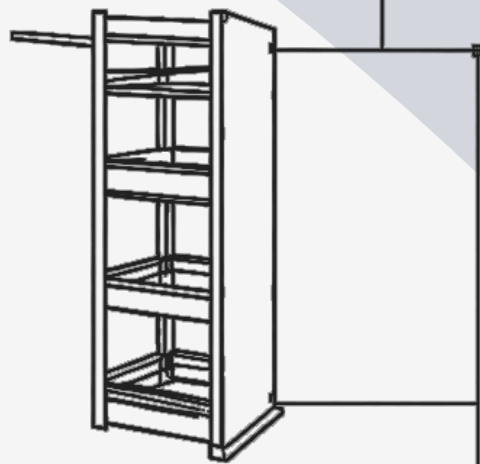
Thoughtfully designed solutions for every corner of the kitchen.



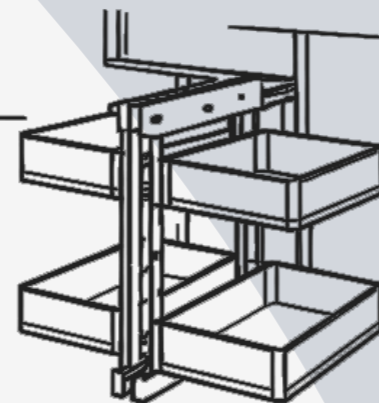
Pull-Out Organization



Blind Corner Optimization

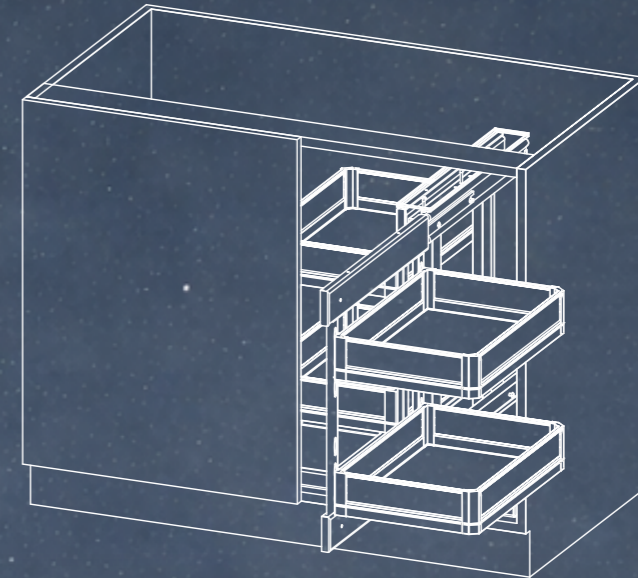


Pantry Storage System



Multi Drawer Solution

Show Hand Corner-Glass	5
Magic Corner-Glass (Universal)	7
Tall Pantry-Glass	9
Spice Rack 2 Shelf-Glass	11
Elevator Basket-Glass	15
Pull Out Drawers-Glass	17
Pull Out Drawers-Glass (Bowl & Dish)	19
Spice Rack Side Mounted-Glass	21



Show Hand Corner-Glass

Corner Solution

Product Code	A521PG2	Load Capacity	5 kg - 1 Basket
Cabinet Size	800 - 900 mm	Remark	Blind Corner Optimizer



Efficient Corner Space Utilization



Smooth & Swing-Out Operation



Anti-Slip Mat Secure & Stable



Reliable Load Performance

Efficient Corner Space Utilization

Designed for 800–900 mm corner base cabinets, this Show Hand Corner Pull-Out transforms unused corner space into highly accessible and organized storage.

Smooth & Swing-Out Operation

The refined pull-out and swing-out linkage mechanism brings both baskets outward from the corner, ensuring easy access, clear visibility, and user comfort.

Anti-Slip Mat – Secure & Stable

The Show Hand Corner accessory features a high-friction anti-slip mat that keeps dishes, jars, and bottles firmly in place. It prevents sliding during pull-out or swing-out use, ensuring safety and stability.

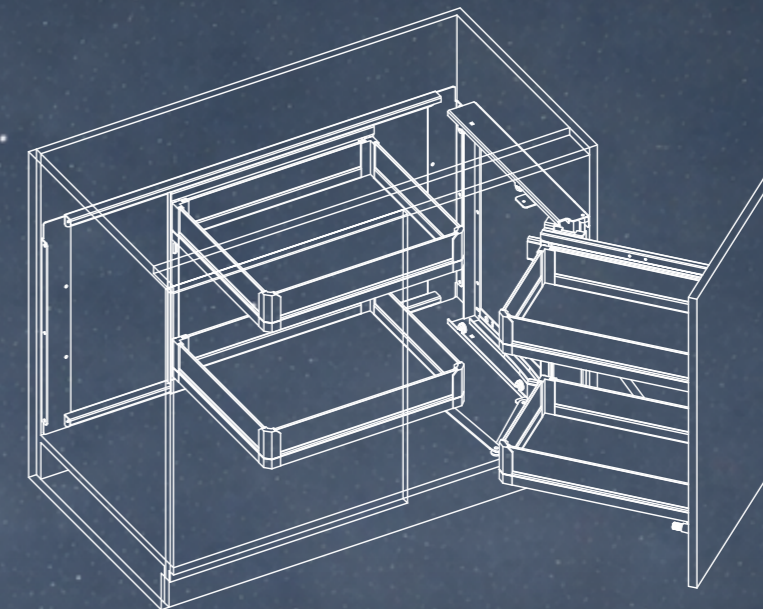
Reliable Load Performance

Each basket is engineered to support a load capacity of up to 5 kg per layer, providing reliable and balanced storage performance.



Casa Kawkaba

Turning Houses into Shining Homes



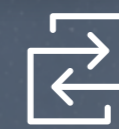
Magic Corner Glass

Universal Corner Solution

Product Code	A541G2	Load Capacity	Big Basket 5 kg Small Basket 3 kg
Cabinet Size	900 - 1000 mm	Remark	Corner Pull-Out



Maximum Corner Space Utilization



Smooth Synchronized Pull-Out System



Smart 2-Tier Storage Design



Premium Grey Glass & Aluminum Construction

Maximum Corner Space Utilization

Engineered for 900-1000 mm blind corner base cabinets, this Magic Corner Pull-Out converts hard-to-reach corner space into fully accessible and well-organized storage.

Smooth Synchronized Pull-Out System

The advanced pull-out and swing-out linkage mechanism brings both front and rear baskets completely outside the cabinet for clear visibility and effortless access.

Smart 2-Tier Storage Design

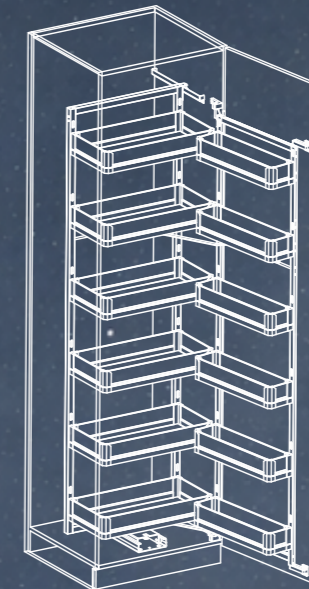
The 2-tier basket configuration efficiently organizes bottles, jars, canned food, and kitchen essentials, while integrated guard rails ensure stability and safety during movement.

Premium Grey Glass & Aluminum Construction

Featuring a modern grey aluminum structure with stainless steel base and tempered glass panels, this system delivers a refined appearance, easy cleaning, reliable durability.



A661G2



A674G2



LEFT RIGHT
A661G2



LEFT RIGHT
A674G2

Product Code	A661G2 A674G2	Load Capacity	Big Basket 5 kg Small Basket 3 kg
Cabinet Size	450 mm 600 mm	Remark	Smart Pantry Pull-Out



Maximized Tall Cabinet Storage



Smooth Pull-Out Mechanism



Multi-Level Basket Organization



Premium Quality Quick Access

Maximized Tall Cabinet Storage

Designed for 450 mm & 600 mm tall pantry cabinets, this full-extension pull-out system efficiently utilizes vertical space to organize bottles, jars, canned goods, snacks, and kitchen supplies.

Smooth Pull-Out Mechanism

The precision full-extension synchronized sliding system brings all baskets fully outside the cabinet for easy visibility and quick access.

Multi-Level Basket Organization

Multiple baskets provide efficient categorization of stored items, keeping them secure and easily accessible during daily kitchen use.

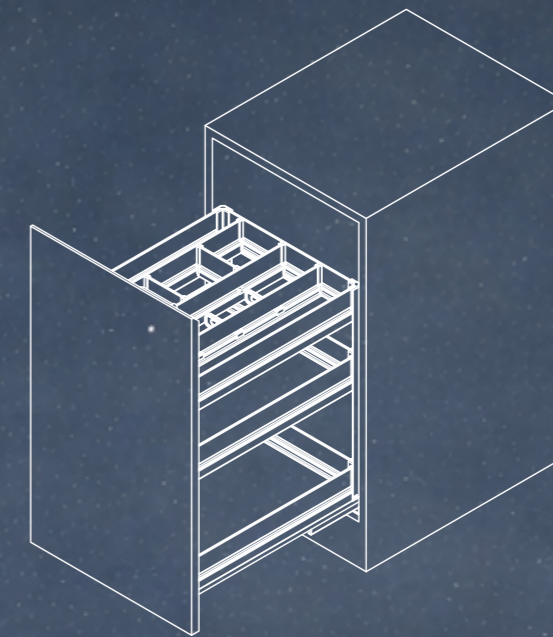
Premium Quality, Quick Access

Steel frame and baskets with stainless steel base and grey tempered glass, finished in an easy-clean grey coating. Side-mounted full-extension pull-out system for 600 mm tall pantry cabinets.



Tall Pantry Glass

Pantry Solution



Product Code	C1640G2	Load Capacity	30 kg
Cabinet Size	400 mm	Remark	Multi-Use Pull-Out Basket



Efficient Base Cabinet Storage



Smooth Full Extension Pull-Out



Practical 2-Tier Layout with Dividers



Multi Item Storage

Efficient Base Cabinet Storage

Designed for 400 mm base cabinets, this 2-tier pull-out system organizes bottles, jars, condiments, and daily kitchen essentials for quick access and tidy storage.

Smooth Full-Extension Pull-Out

The precision full-extension sliding mechanism brings all baskets completely out of the cabinet, offering clear visibility and effortless accessibility.

Practical 2-Tier Layout with Dividers

The upper basket with dividers is ideal for small bottles and jars, while the lower deep basket accommodates tall bottles such as oils, vinegar, and beverages. Guard rails keep items stable and secure during movement.

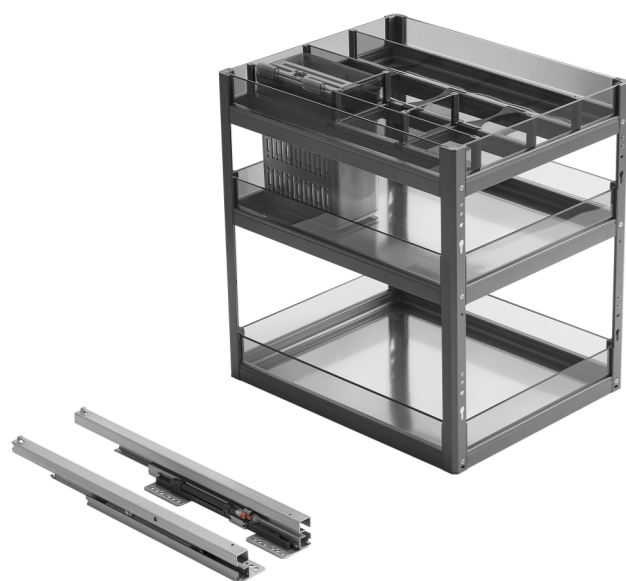
Multi Item Storage

Durable stainless steel base with grey tempered glass panels that are easy to clean. Grey-coated metal frame with smooth full-extension slides, 2-tier storage with dividers, and can be installed on either side of the cabinet.



Spice Rack Glass

2 Shelf Rack





Casa Kawkaba
Turning Houses into Shining Homes

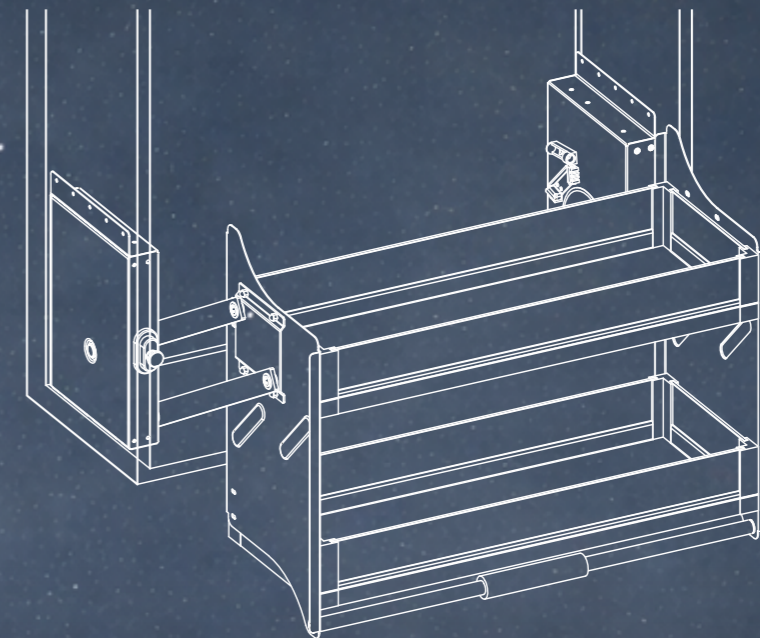


LUNA GLOW SERIES



Casa Kawkaba

Turning Houses into Shining Homes



Product Code	A221G2 A224G2	Load Capacity	10 kg 12 kg
Cabinet Size	600 mm 900 mm	Remark	Kitchen Elevating Basket



Enhanced Wall Cabinet Accessibility



Smooth Pull-Down Lifting Mechanism



Organized 2-Motion Storage



Durable & Stylish Construction

Enhanced Wall Cabinet Accessibility

Designed for 600 mm & 900 mm wall cabinets, the pull-down basket brings high storage within easy reach, improving daily efficiency and reducing overhead strain.

Smooth Pull-Down Lifting Mechanism

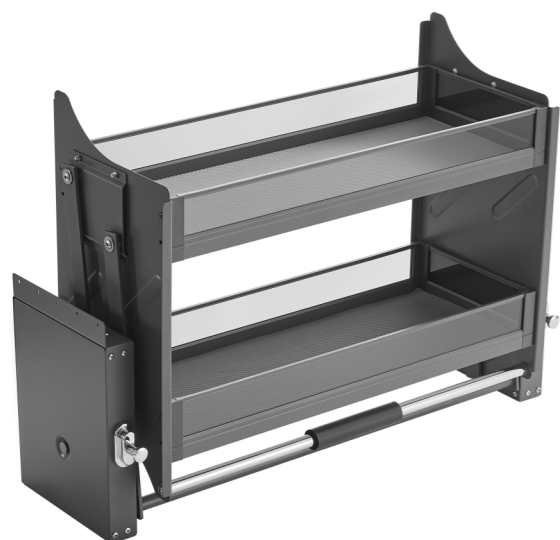
The precision pull-down system lowers and raises the basket smoothly, providing comfortable, effortless access to bottles, jars, and kitchen essentials.

Organized 2-Motion Storage

Organized 2-Motion Storage delivers smart kitchen access with smooth pull-out and lift-up motions. With two internal levels, it keeps items neatly arranged, maximizes space, and ensures effortless reach.

Durable & Stylish Construction

Steel frame, stainless steel base, and grey tempered glass panels with easy-clean finish for lasting performance.



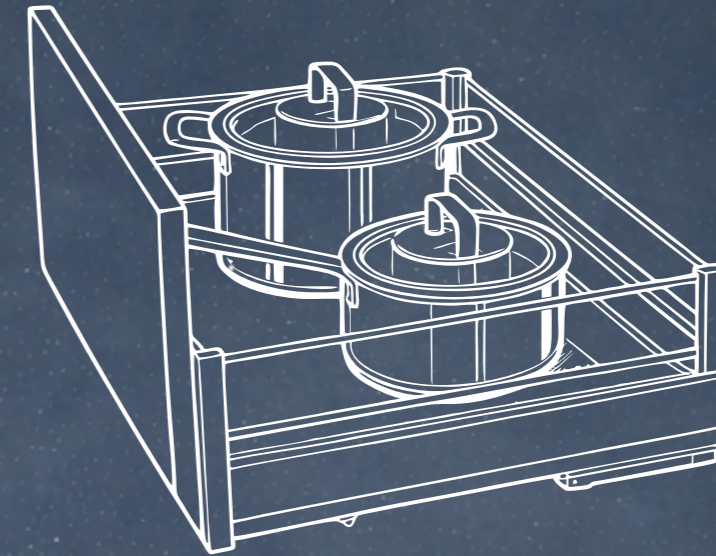
Elevator Basket Glass

Up and Down Lifting



Casa Kawkaba

Turning Houses into Shining Homes



Product Code	B136G2 B139G2	Load Capacity	30 kg
Cabinet Size	600 mm 900 mm	Remark	Designer Pot & Pan Organizer



Efficient Cookware Storage



Silent & Smooth Operation



Stable & Safe with Anti-Slip Mat



Perfect for Heavy Cookware

Efficient Cookware Storage

Designed for 600 mm & 900 mm base cabinets, this pull-out drawer basket keeps pots, pans, and heavy kitchen items organized and easily accessible.

Silent & Smooth Operation

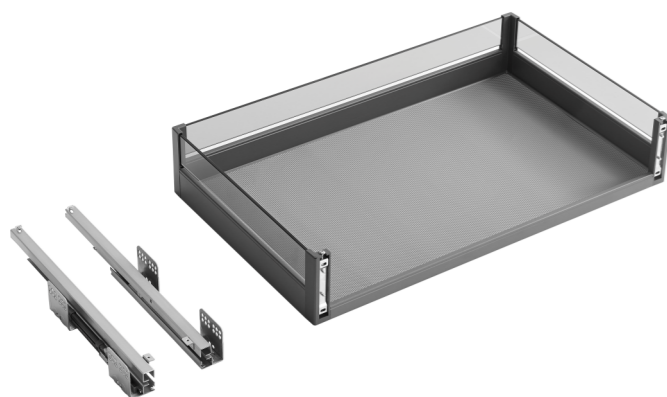
Engineered for quiet, effortless movement, the pull-out system glides smoothly without noise or vibration. Precision runners ensure stable, controlled motion every time, delivering a calm, premium experience in daily kitchen use.

Stable & Safe with Anti-Slip Mat

The flat tray with anti-slip mat ensures cookware stays securely in place, prevents scratching, and maintains stability during movement.

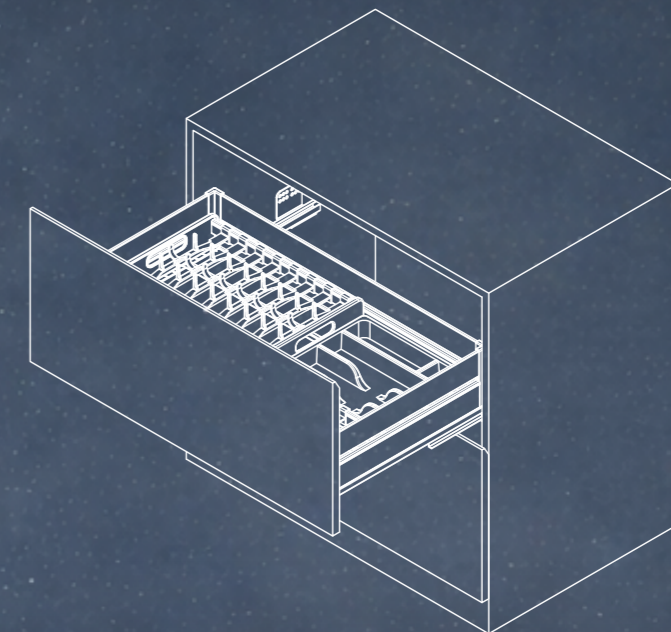
Perfect for Heavy Cookware

Ideal for large pots and pans, this pull-out basket provides easy access and keeps your kitchen organized, making daily cooking faster and more efficient.



Pull Out Drawers-Glass

Pull Out Basket



Product Code	B1316G2 B1319G2	Load Capacity	30 kg
Cabinet Size	600 mm 900 mm	Remark	With Cutlery Section



Organized Base Cabinet Storage



Smooth Full-Extension Pull-Out



Integrated Plate & Cutlery Organization



Premium Grey Glass & Aluminum Construction

Organized Base Cabinet Storage

Designed for 600 mm & 900 mm base cabinets, this pull-out system keeps plates, dishes, and cutlery neatly organized for efficient daily kitchen workflow.

Smooth Full-Extension Pull-Out

The full-extension sliding mechanism brings all items completely out of the cabinet, providing clear visibility and effortless access.

Integrated Plate & Cutlery Organization

Features plate dividers for vertical stability and cutlery partitions for knives, forks, and spoons, keeping tableware separated, secure, and tidy during movement.

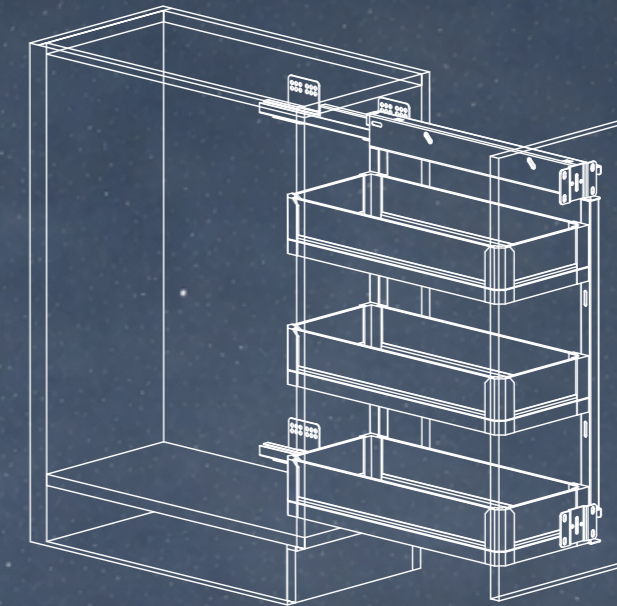
Premium Grey Glass & Aluminum Construction

Made with steel frame, stainless steel base, and tempered glass panels, offering durable support, modern aesthetics, easy cleaning.



Pull Out Drawers-Glass (Bowl & Dish)

Pull Out Basket



Product Code	E420G2-R E420G2-L	Load Capacity	30 kg
Cabinet Size	200 mm	Remark	3 - Tier Pull-Out

Efficient Slim Cabinet Storage

Smooth Full-Extension Pull-Out

3-Level Space Saving Storage

Durable & Easy Clean Finish

Efficient Slim Cabinet Storage

Designed for 200 mm narrow base cabinets, this 3-tier pull-out rack organizes spices, jars, condiments, and beverage bottles for quick access and daily convenience.

Smooth Full-Extension Pull-Out

The full-extension sliding system brings all items fully into view, allowing easy loading, retrieval, and better kitchen workflow.

3-Level Space-Saving Storage

Smart 3-Level Storage features a structured three-level layout designed to organize & optimizing cabinet space and improving accessibility for daily use.

Durable & Easy-Clean Finish

Grey tempered glass panels with steel frame and stainless steel base deliver lasting support, modern design, and hassle-free maintenance.



Spice Rack Side Mounted Glass

Pull Out Basket